

GLORY®

WS-21

Desktop Automatic Coin Counter/ Wrapper

The world's only--desktop counter/wrapper. The WS-21 is 60% smaller than Glory's acclaimed floor models yet offers all the power and speed of a full-size machine. Use the WS-21 to count only, or count and wrap up to 12 rolls per minute. This is the perfect solution for attaining high-volume, reliable coin processing in a limited work space.



**Tank Tough
Wrapper**



- Tabletop, desktop, and top of the line
- High performance, low maintenance
- User-friendly

The Glory WS-21: A Powerful Desktop Coin Counter/Wrapper with All the Features of a Full-size

Fast Counting and Wrapping—The Best in Its Class

The WS-21 can wrap up to 12 rolls per minute, the fastest processing speed for this class. As a time-saving and reliable coin counter, the WS-21 offers three preset modes of unlimited, 500 or 1,000, and a convenient user mode of any value from 1 to 99,999. Batch coin wrapping may also be set from 1 to 99,999. All counting, wrapping and denomination settings are made with the easy-to-use soft touch keypad.

The coin hopper holds up to 1,000 loose dimes, and the wrapped coin box holds up to 20 rolled dimes.

Easy to use numeric keypad for smooth, efficient operation

All counting, wrapping, and denomination settings can be made easily from the user-friendly operation panel.



Efficient Wrapping Paper Pick-up Selection System

Control functions are activated automatically according to the coin type. The WS-21 cuts coin wrapping paper exactly to the length needed for the selected coin type—a paper-saving feature that eliminates costly waste.

Easy Recovery from Coin Jams

The WS-21's simple and logical design makes it easy to recover from jammed coins in the unlikely event that should occur.

Optional stand

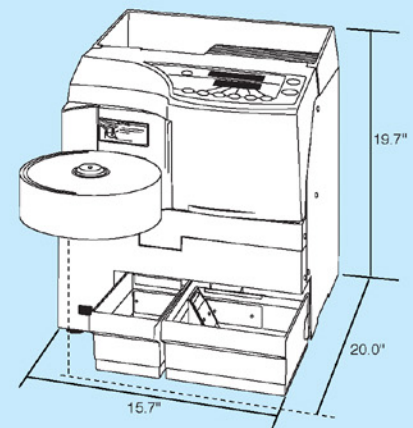
The tank tough dedicated stand will securely hold the unit at a convenient height, allowing coin bags to be attached to the counter for large batches.



Specifications

Counting speed:	1,600 coins/min. (max.)
Wrapping speed:	12 rolls/min. (max.)
Hopper capacity:	1,000 coins (max.)
Acceptable coins:	Max. 32 denominations Diameter: 0.63"-1.26" (16mm-32.2mm) Thickness: 0.039"-0.118" (1.00mm-3.0mm)
No. of coins wrapped in one roll:	Preset for each denomination
Power source:	AC 100/240V±10% 50/60Hz
Dimensions:	15.7"(W) x 20"(D) x 19.7"(H)
Weight:	121.3lbs (55kg)
Power consumption:	210W

Specifications are subject to change without notice.



Distributed by:

GLORY®
GLORY (U.S.A.) INC.
www.gloryusainc.com

Corporate Headquarters
 10 York Avenue, West Caldwell, NJ 07006
 Tel: (800) 999-4510
 Fax: (973) 228-7114
Development Center
 11205-A Knott Avenue, Cypress, CA 90630
 Tel: (800) 897-1879
 Fax: (714) 897-9415

© 2003 GLORY(U.S.A.)INC. All Rights Reserved. Printed in U.S.A.

North Central Region: 2506 Wisconsin Avenue, Downers Grove, IL 60515
 Tel: (888) 456-7987 / Fax: (630) 241-4482

Northeast Region: 10 York Avenue, West Caldwell, NJ 07006
 Tel: (800) 654-4564 / Fax: (973) 228-8796

South Central Region: 623 Distributors Row, Suite A, Harahan, LA 70123
 Tel: (800) 609-8088 / Fax: (504) 734-5988

Southeast Region: 4201-B Stuart Andrew Blvd., Charlotte, NC 28217
 Tel: (800) 847-9414 / Fax: (704) 525-5991

Southwest Region: 1600 N. I-35E, Suite 103, Carrollton, TX 75006
 Tel: (800) 395-0411 / Fax: (972) 323-9043

Western Region: 11205-A Knott Avenue, Cypress, CA 90630
 Tel: (800) 762-7824 / Fax: (800) 710-9803

Nevada Region: 3220 Procyon Ave., Las Vegas, NV 89102
 Tel: (888) 439-8262 / Fax: (702) 252-0645